

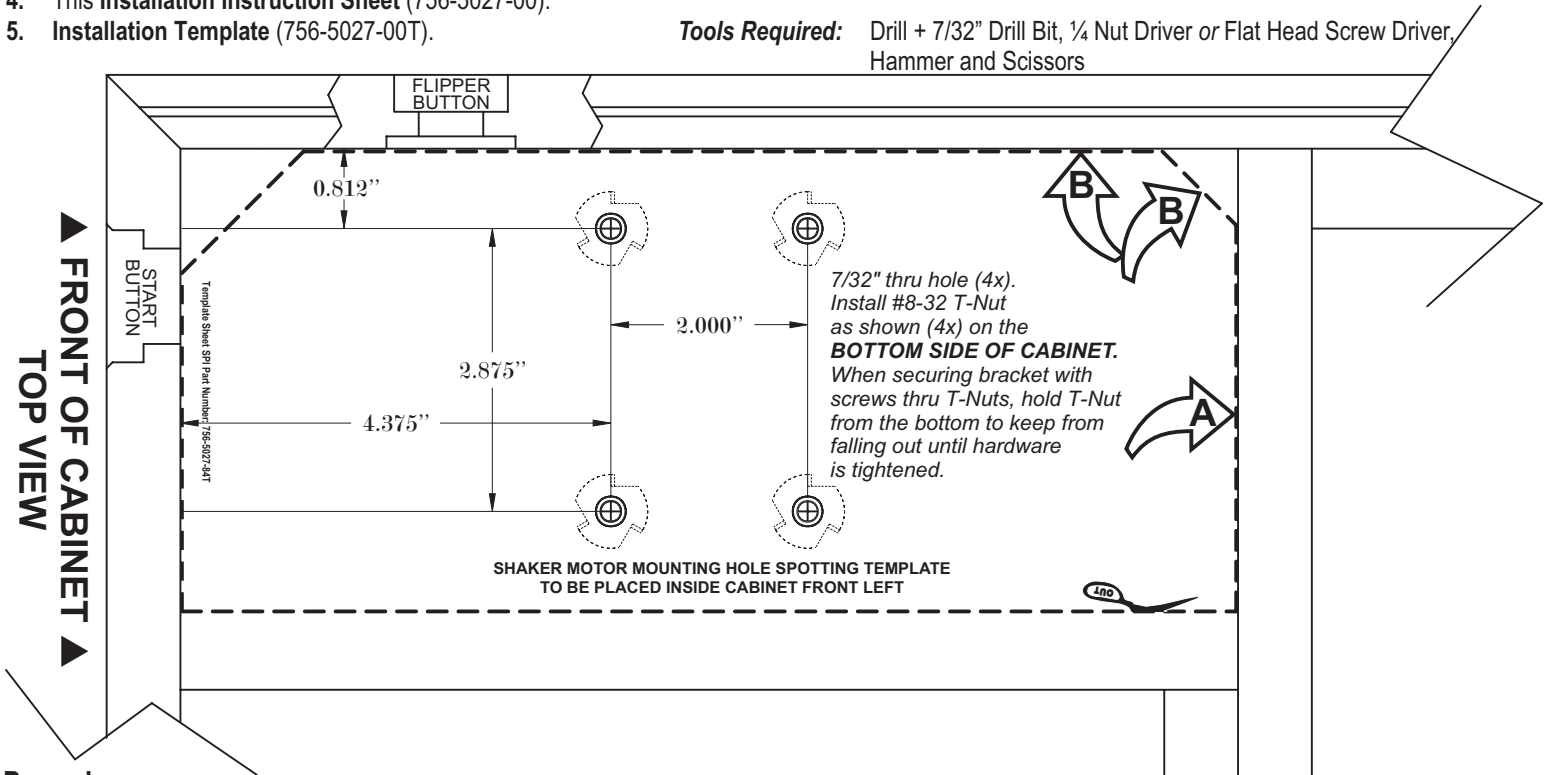
Optional Shaker Motor Installation Instructions

for Optional Shaker Motor Kit 502-5027-00

Kit Contents:

1. **Shaker Motor Assembly** with Harness Ref. Decal (1) (515-5893-01 + 820-6407-SM2) + **Securing Hardware:** #8-32 T-Nut (4) (240-5101-00) and #8-32 X 5/8" SHWH Screw (4) (237-5975-03).
2. **Cover** with Warning Decal (1) (545-5241-00 + 820-6062-00) + **Securing Hardware:** #8-32 X 3/8" SHWH Screw (2) (237-5967-00).
3. **Shaker Motor PC Board** with Spacers (1) (520-5065-00 + 254-5007-01) **Securing Hardware:** #6 X 3/4" SHWH Screw (4) (234-5003-00).
4. This **Installation Instruction Sheet** (756-5027-00).
5. **Installation Template** (756-5027-00T).

Tools Required: Drill + 7/32" Drill Bit, 1/4 Nut Driver or Flat Head Screw Driver, Hammer and Scissors



Procedure:

Ensure Power is OFF while performing any task.

Step 1 Cut out Item 5. **Template** (756-5027-00T) included in kit. Lay template in front left cabinet (left side of cash box). Reference **A & B** to align template to these edges.

Step 2 Drill four (4) 7/32" \varnothing thru holes as shown using the cut-out template as a guide.

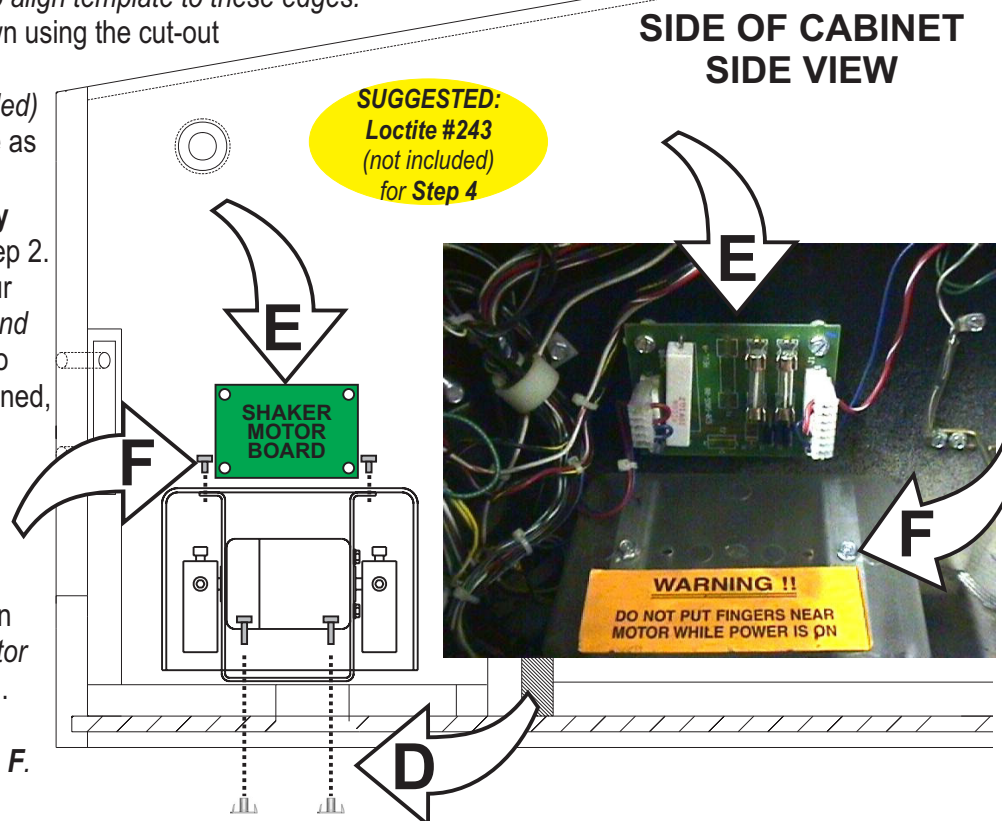
Step 3 Tap in the four (4) #8-32 T-Nuts (included) with a hammer from under the cabinet side as shown. Reference **D**.

Step 4 Place Item 1. **Shaker Motor Assembly** in cabinet and align with holes drilled in Step 2. Apply Loctite #243 (not included) to the four (4) #8-32 X 5/8" Screws (included), and hand start while holding the T-Nuts from below to keep from getting pushed out. Once tightened, the T-Nuts will draw tighter into cabinet.

Step 5 Install Item 3. **Shaker Motor Board (SM PCB)** with four (4) #6 X 3/4" Screws to side of cabinet. Reference **E**.

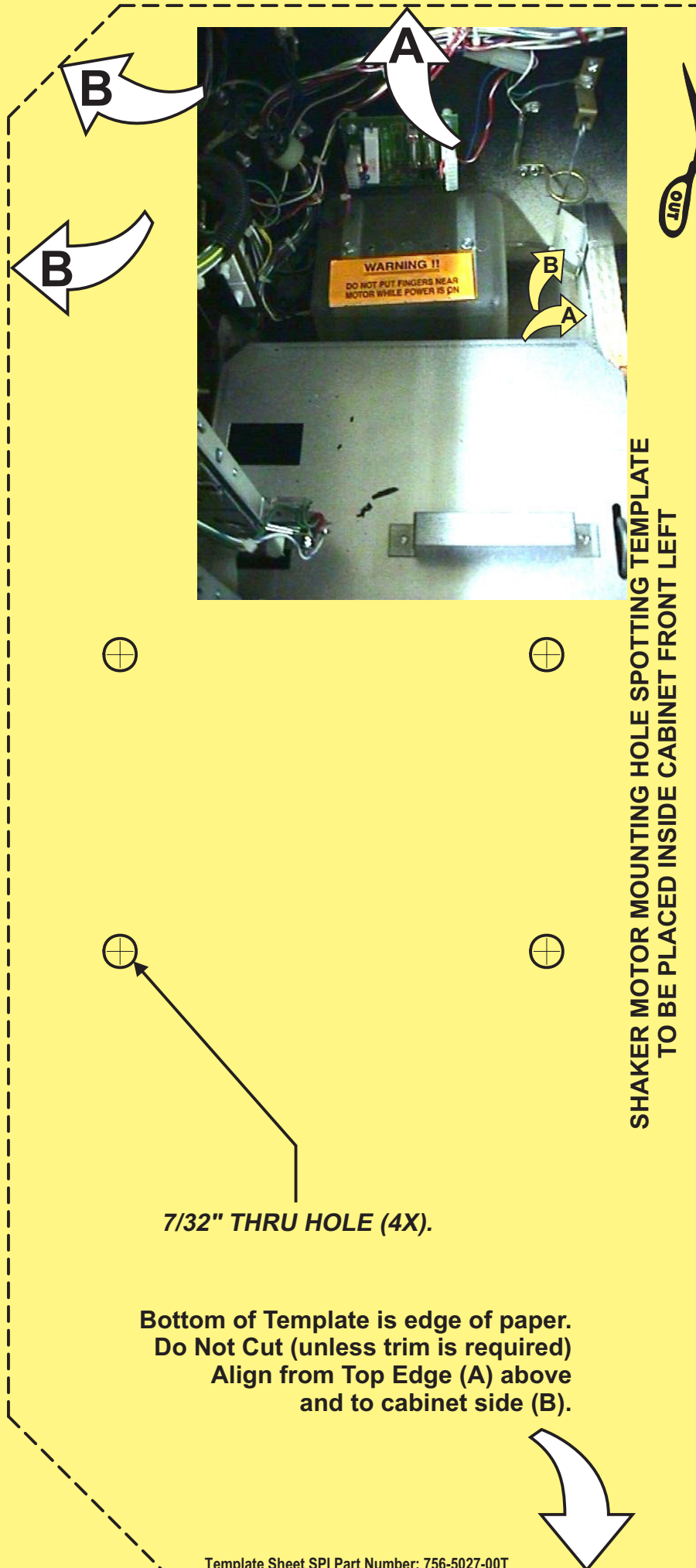
Step 6 Plug in 5-Pin Connector from Shaker Motor into the SM PCB (J2). Find the 7-Pin Connector (labeled to plug into Shaker Motor Board) in cabinet (same area), plug into J1.

Step 7 Attach Item 2. **Cover** with two (2) #8-32 X 3/8" Screws (included). Reference **F**.



Optional Shaker Motor Installation Template

for Optional Shaker Motor Kit 502-5027-00-84

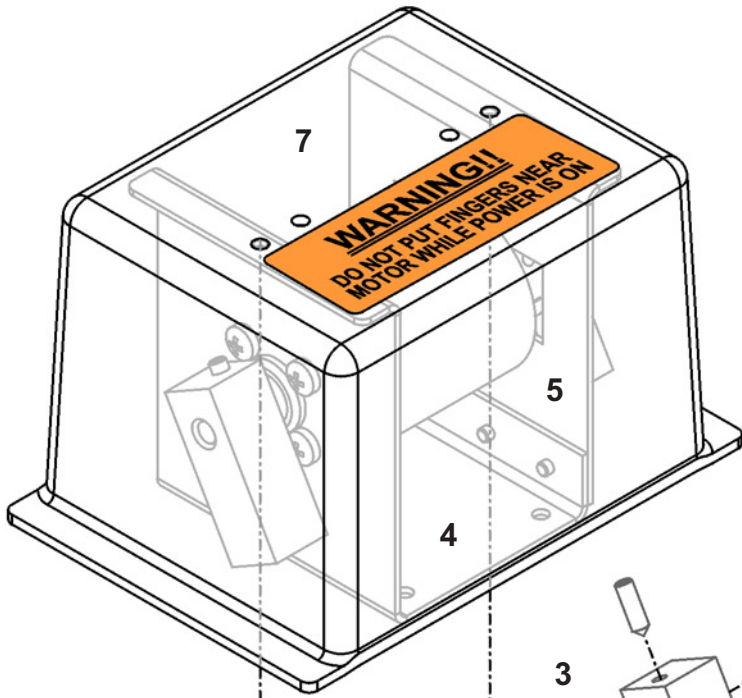


SHAKER MOTOR MOUNTING HOLE SPOTTING TEMPLATE
TO BE PLACED INSIDE CABINET FRONT LEFT

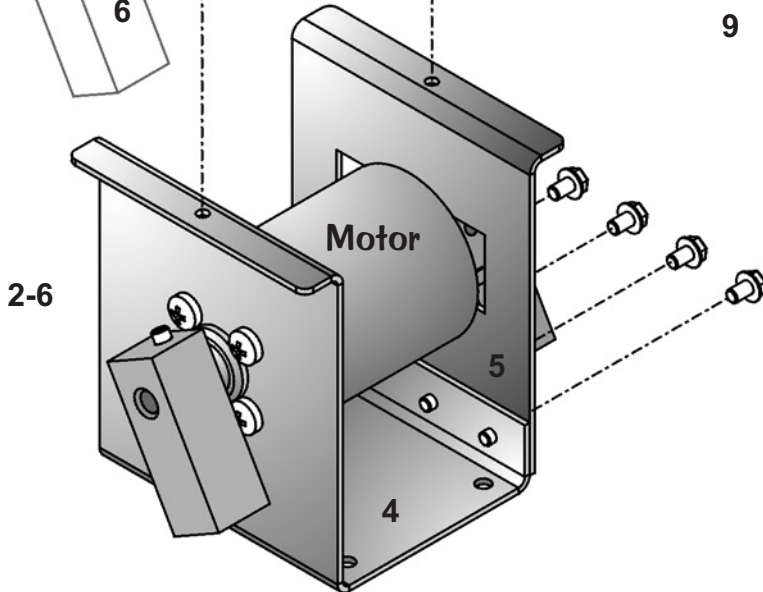
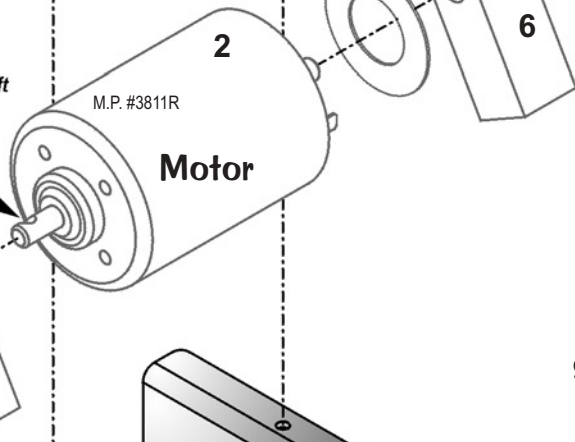
Bottom of Template is edge of paper.
Do Not Cut (unless trim is required)
Align from Top Edge (A) above
and to cabinet side (B).

****OPTIONAL** Shaker Motor Kit, 502-5027-00, (Items 1-9)**

- 1 1 502-5027-00 SHAKER MOTOR KIT
- 2-6 1 515-5893-01 SHAKER MOTOR ASM.
- 2 1 041-5029-04 MOTOR
- 3 1 545-5425-00 INSULATOR
- 4 1 535-6711-01 S.M. BRACKET
- 5 1 535-6711-02 S.M. BRACKET LEG
- 6 2 535-6727-01 WEIGHT
- 237-5911-00 SET SCREW
- 7 1 545-5241-00 PLASTIC COVER
- 8 1 515-5742-00 S.M. PCB + SPACERS
- 9 1 756-5027-00 INSTRUCTION SHEET
- 1 756-5027-00T TEMPLATE



Note the set screw tip should go into the divet on the motor shaft



Click to view the instructions and template online:
<http://www.sternpinball.com/756-5027-00.html>

These 2 sheets are included in the kit.

Optional Shaker Motor Installation Instructions

- Kit Contents:**
- 1. Shaker Motor Assembly with Harmonic Flat Driver (F) (915-9883-01) + Securing Hardware: #8-32 T-Nut (4) (240-9101-00) and #8-32 X 3/8" Set Screw (4) (237-5815-03).
 - 2. Cover with Warning Decal (1) (545-5241-00) + Sealing Hardware: #8-32 X 3/8" Set Screw (2) (237-5815-03).
 - 3. Shaker Motor PCB Board with Spacers (1) (515-5742-00) + Sealing Hardware: #8-32 X 3/8" Set Screw (4) (234-9033-00).
 - 4. This Installation Instruction Sheet (756-5027-00).

